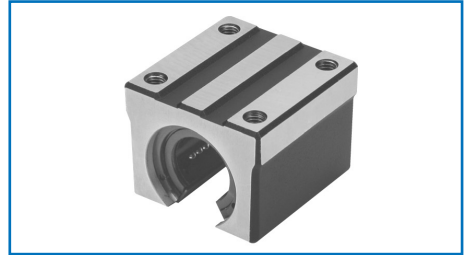
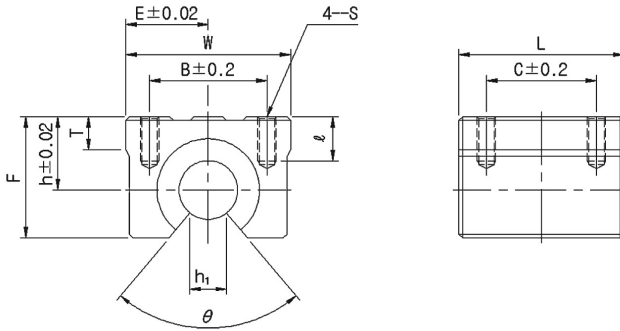


SHO type

Asian Super Ball Bushing Block



Open type(with 1pc of SBO)



Unit : mm

Part No.	Dimensions								Mounting Dimensions				Shaft d	Basic Load Ratings		weight (g)
	h	E	W	L	F	T	h ₁	θ	B	C	S	ℓ		dyn. C (N)	stat. Co (N)	
SHO 16UU	20	22.5	45	45	33	9	11	60°	32	30	M5	12	16	1372	754	124
SHO 20UU	23	24	48	50	39	11	11	60°	35	35	M6	12	20	2332	1244	178
SHO 25UU	27	30	60	65	47	14	12.5	60°	40	40	M6	12	25	4351	2097	352
SHO 30UU	33	35	70	70	56	15	15	60°	50	50	M8	18	30	4851	2997	507
SHO 40UU	42	45	90	90	72	20	20	60°	65	65	M10	20	40	9408	4410	1055

1N ≅ 0.102kgf